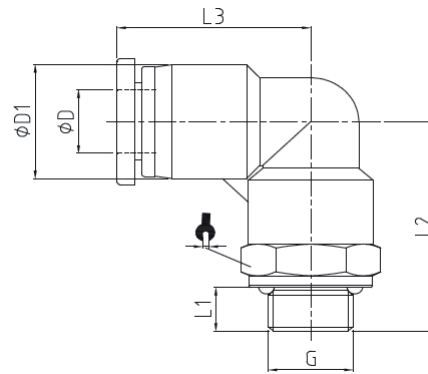




RACCORDS INSTANTANÉS POLYMÈRES

SÉRIE RP72 - RACCORD COUDÉ ORIENTABLE AVEC FILETAGE MÂLE CYLINDRIQUE ET MÉTRIQUE



Réf. Air-techniques	øD	G''	L1	L2	L3	øD1		
RP72M504	4	M5	3.5	20	11.5	11.5	10	10
RP72M604	4	M6	4	20.5	11.5	11.5	10	10
RP721804	4	G1/8	5.5	22	11.5	11.5	14	10
RP721404	4	G1/4	7.5	19.5	11.5	11.5	17	10
RP723804	4	G3/8	7.5	20	11.5	11.5	20	10
RP72M506	6	M5	3.5	21	13.5	13.5	12	10
RP72M606	6	M6	4	21.5	13.5	13.5	12	10
RP721806	6	G1/8	5.5	23	13.5	13.5	14	10
RP721406	6	G1/4	7.5	20.5	13.5	13.5	17	10
RP723806	6	G3/8	7.5	21	13.5	13.5	20	10
RP721206	6	G1/2	10	23.5	13.5	13.5	24	10
RP721808	8	G1/8	5.5	23.7	15	15	14	10
RP721408	8	G1/4	7.5	21.2	15	15	17	10
RP723808	8	G3/8	7.5	21.7	15	15	20	10
RP721208	8	G1/2	10	24.2	15	15	24	10
RP721810	10	G1/8	5.5	26	19	19	17	10
RP721410	10	G1/4	7.5	28	19	19	17	10
RP723810	10	G3/8	7.5	23.7	19	19	20	10
RP721210	10	G1/2	10	26.2	19	19	24	10
RP721812	12	G1/8	5.5	27.2	21.5	21.5	15	10
RP721412	12	G1/4	7.5	29.2	21.5	21.5	21	10
RP723812	12	G3/8	7.5	25	21.5	21.5	21	10
RP721212	12	G1/2	10	27.5	21.5	21.5	24	10
RP723814	14	G3/8	7.5	39	23.5	23.5	22	10
RP721214	14	G1/2	10	42.5	23.5	23.5	24	10
RP723815	15	G3/8	7.5	42.5	26.5	26.5	24	10
RP721215	15	G1/2	10	44.5	26.5	26.5	24	10
RP721216	16	G1/2	10	44.5	26.5	26.5	24	10